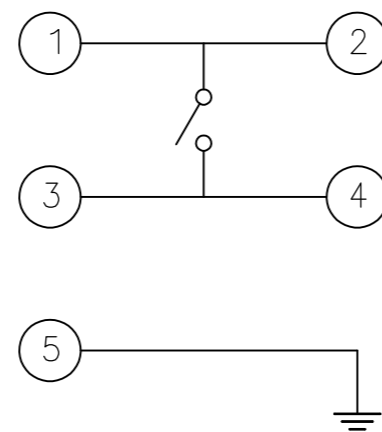
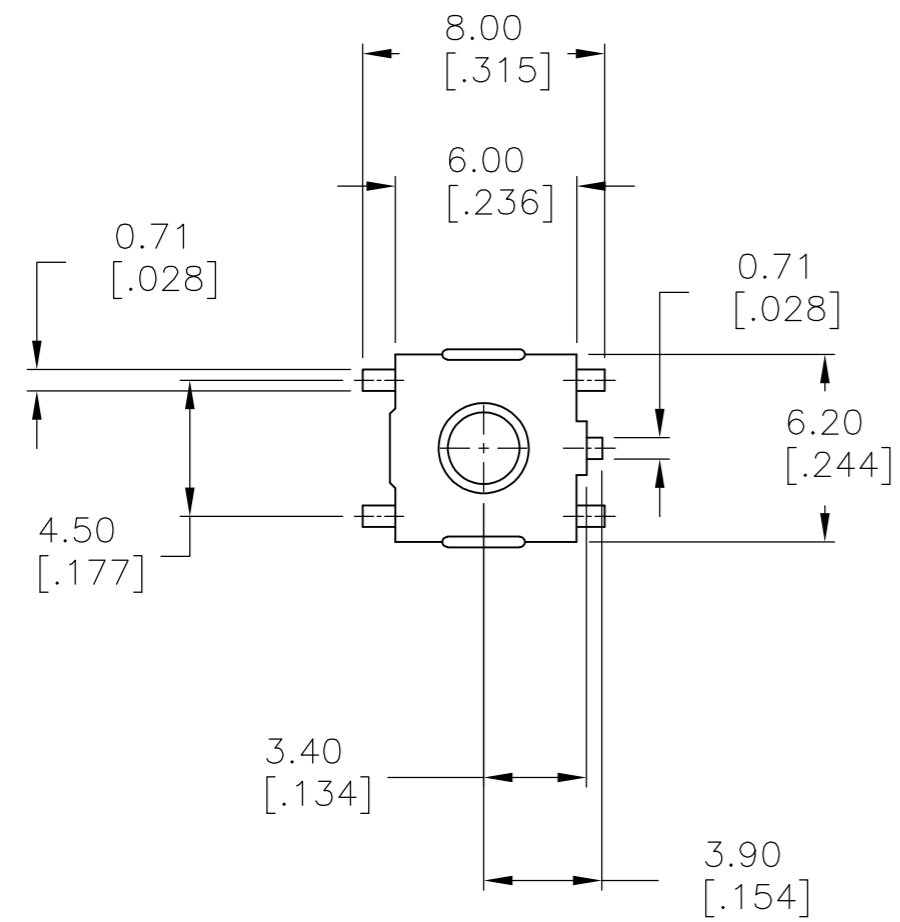
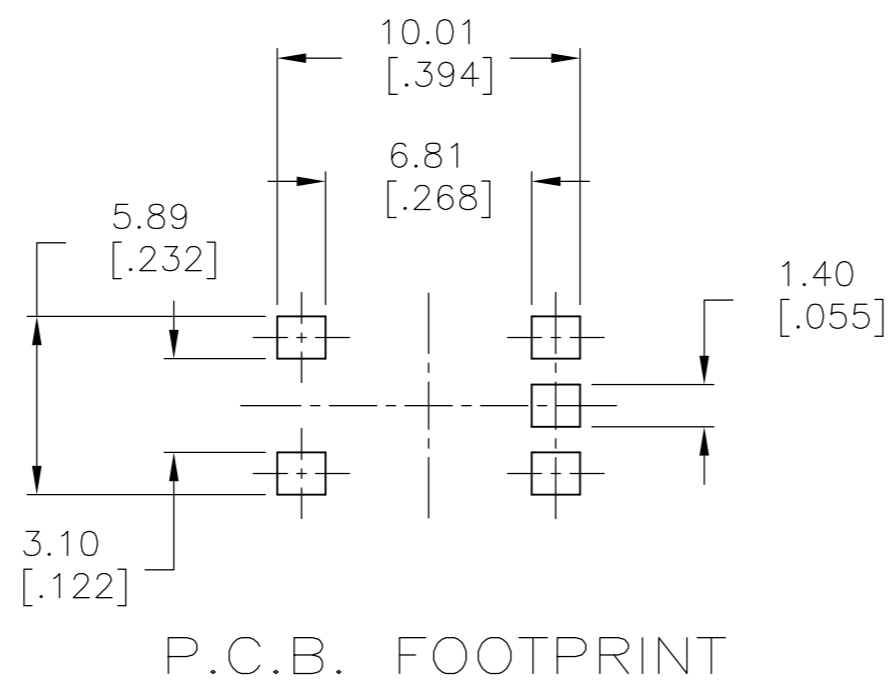
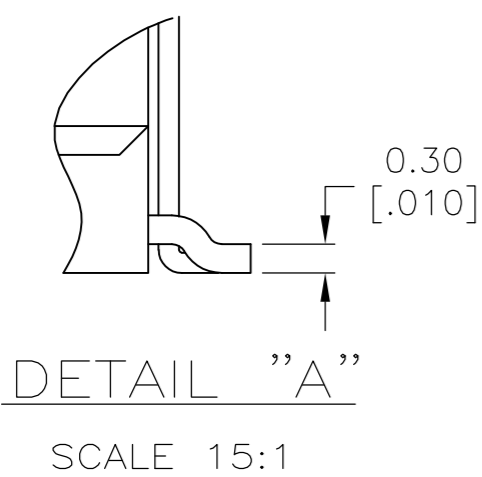
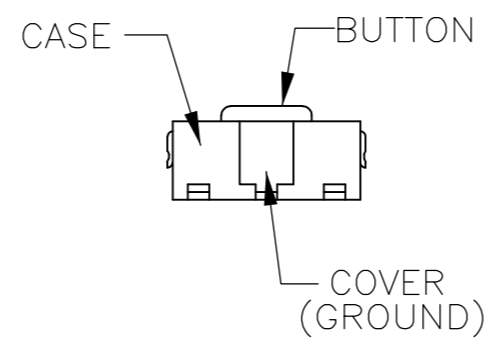
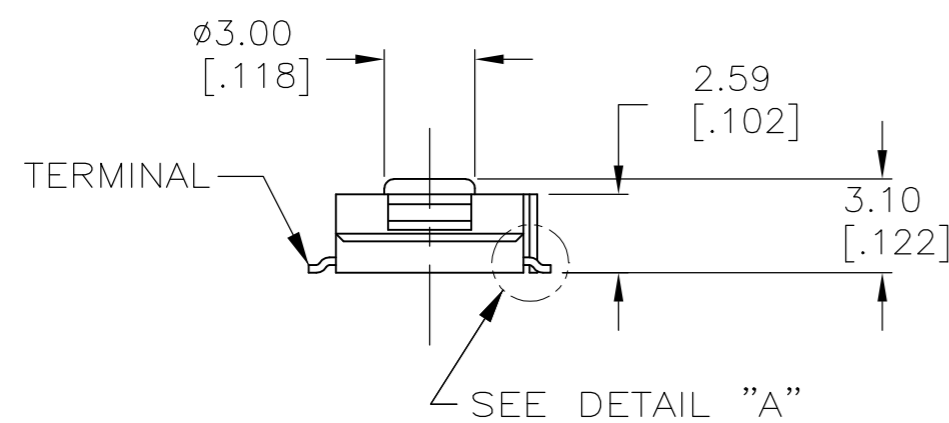


THIS DRAWING IS UNPUBLISHED. RELEASED FOR PUBLICATION  
 © COPYRIGHT - By - ALL RIGHTS RESERVED.

LOC		DIST		REVISIONS			
P	LTR	DESCRIPTION		DATE	DWN	APVD	
AD	00	A3	REVISED PER ECO-14-004884	02APR2014	NK	RH	



CIRCUIT DIAGRAM



SPECIFICATIONS:

MATERIALS:

CASE, NYLON 46 UL94 V-0, IVORY  
 ACTUATOR, NYLON PA6T UL94V-0, SEE P/N TABLE FOR FINISH  
 COVER, COPPER ALLOY, TIN FINISH  
 TERMINAL/FIXED CONTACT, COPPER ALLOY-SILVER FINISH  
 MOVING CONTACT, STAINLESS STEEL-SILVER FINISH

ELECTRICAL:

MAX CONTACT RATING, 50MILLIAMP@24V DC  
 MIN CONTACT RATING, 1MICROAMP@1V DC  
 CONTACT RESISTANCE, 100 MILLIOHMS MAX  
 INSULATION RESISTANCE, 100 MEGOHM MIN.  
 DIELECTRIC STRENGTH, 500 V AC FOR 1 MINUTE  
 LIFE EXPECTANCY, 1,000,000 CYCLES

MECHANICAL:

ACTUATION FORCE, SEE P/N TABLE  
 ACTUATION TRAVEL, 0.25 +0.20/-0.10  
 LIFE EXPECTANCY, 1,000,000, (2 CYCLES PER SECOND AND 150% ACTUATION FORCE)

ENVIRONMENTAL:

OPERATING TEMPERATURE, -40 TO +105° C  
 STORAGE TEMPERATURE, -40 TO +105° C  
 SOLDERABILITY, EIA-RS-186-9E, OR MIL-STD-202F  
 RESISTANCE TO SOLDER HEAT, 260° C FOR 10SEC-PER 109-201, CONDITION B  
 1. NO CHANGE IN INITIAL ELECTRICAL AND MECHANICAL CHARACTERISTICS

- ALL MATERIALS AND FINISHES SHALL COMPLY WITH EU DIRECTIVE 2002/95/EC OF 27JAN2003 (ROHS)
- TAPE AND REEL PACKAGING PER EIA-481

1,000,000	PINK	260 +/-50g	12 MM	16 MM	FSM1LPASTR	1977263-4
1,000,000	PINK	260 +/-50g			FSM1LPAS	1977263-3
1,000,000	GREEN	160 +/-50g	12 MM	16 MM	FSM1LPSTR	1977263-2
1,000,000	GREEN	160 +/-50g			FSM1LPS	1977263-1
LIFE CYCLE	ACTUATOR COLOR	ACTUATION FORCE	PITCH	TAPE WIDTH	T&B P/N	TE P/N

THIS DRAWING IS A CONTROLLED DOCUMENT.		DWN	M.BINNER	24JAN08		
DIMENSIONS: mm [INCHES]		CHK	M.SARVER	24JAN08		
TOLERANCES UNLESS OTHERWISE SPECIFIED:		APVD	M.SARVER	24JAN08		
0 PLC ± - 1 PLC ± - 2 PLC ± 0.30[.012] 3 PLC ± - 4 PLC ± - ANGLES ± -		PRODUCT SPEC	NAME			
MATERIAL		FINISH		WEIGHT	-	
-		-		SCALE	A2 00779 C=1977263	
CUSTOMER DRAWING		SCALE		4:1	SHEET	1 OF 1
		REV		A3		